

doughXpress

Model No.

DX-BMIH

Manual Dough Divider



The DX-BMIH manual dough divider has two machines in one capability. Interchangeable head assemblies in either 36-part or 18-part divisions allow fast accurate scaling of dough in weights ranging from 36 pieces from 1 ounce up to 4 ounces each or 18 pieces from 2 ounces up to 9 ounces each.

When removed for cleaning or interchange, (no tools required), the entire head assembly can be placed into a sink or dishwasher for complete cleaning to a sanitary operating condition in just minutes per day.

Capable of dividing many types of Yeast Raised Dough including Bread & Bun dough, Tortilla & Pizza dough, Cookie and Pie dough and even Ground Meat or Sausage for exact portion control.

DX-BMIH Manual Dough Divider Features:

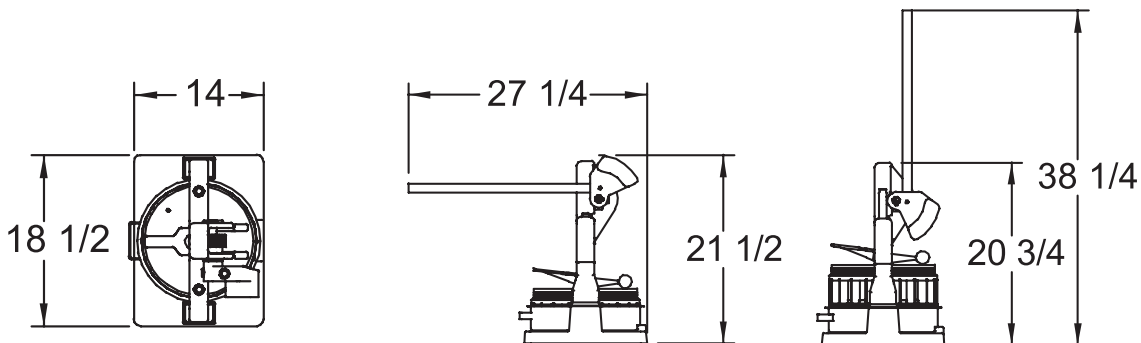
- 2-in-1 Machine Capabilities
- Dividing Head Assembly easily removed in seconds, without tools... for Total Cleanability and Interchange with Optional Divider head assemblies
- Versatility... 1-oz. up to 9 oz.
- Lightweight and mobile when mounted to portable stand (P/N DX-B4-436-0072)
- Made in the U.S.A.
- 1 year full warranty.
- UL, NSF and USDA listed.

MACHINE DIMENSIONS

Width: 18-1/2 inches, 47 centimeters
Height: 38-1/4 inches, 97.2 centimeters
Depth: 14 inches, 35.6 centimeters

MACHINE WEIGHT

Press Only: 80 lbs., 26 kg
Shipping: 88 lbs., 39.6 kg



doughXpress
HIX Corporation Food Division
Product improvement may require us to change specifications without notice.
Revised April 2009



USDA

J.D. Honigberg International, Inc.

155 N. Pfingsten Road, Suite 150

Deerfield, IL 60015 USA

Tel: 847-412-0200 • Fax: 847-412-0034

email: catering@jdhintl.com • www.jdhcatering.com