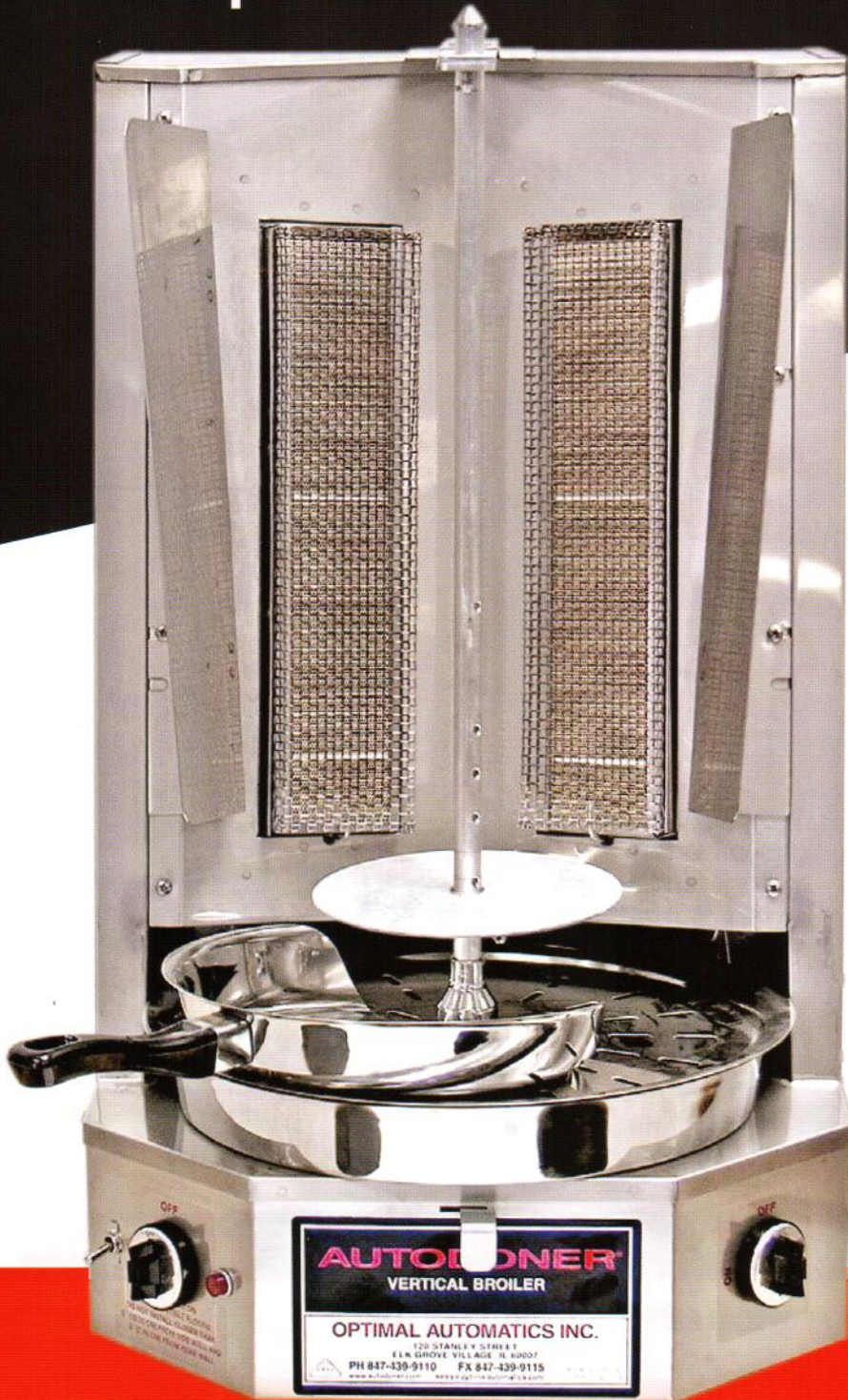




AUTODONER®

The Original Automatic Vertical Broiler



**Meat
Capacity
25 Lbs.**

**Finally a gas machine
designed for the
operator using small
to medium cones,
with all the features
of the large machine!
2 burner controls
improve temperature
control and savings.**

MODEL# G-200

Medium capacity and your choice
of clean burning natural or LP gas.

24,000 BTU'S

OPTIMAL
AUTOMATICS, CO.

J.D. Honigberg International, Inc.

155 N. Pfingsten Road, Suite 150
Deerfield, IL 60015 USA

Tel: 847-412-0200 • Fax: 847-412-0034

email: catering@jdhintl.com • www.jdhcatering.com





AUTODONER®

The Original Automatic Vertical Broiler

ENGINEERED FOR PERFORMANCE

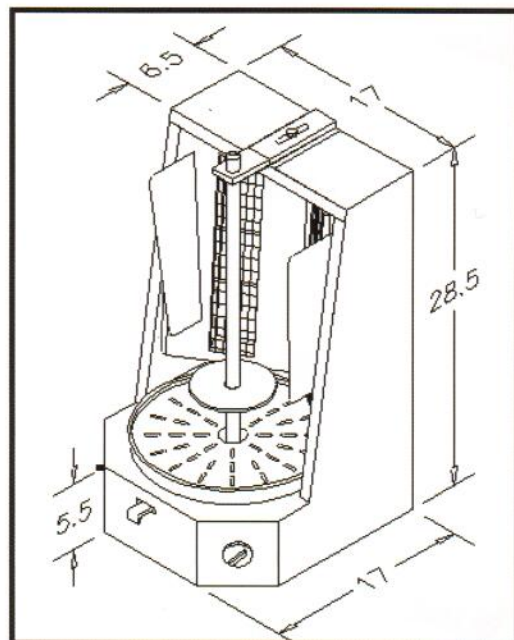
Made in the U.S.A. Since 1972



**Model #
G-200
Meat
Capacity
25 Lbs.**

GAS
1/2" NPT rear
gas connection,
specify Natural
or L.P. gas

PRESSURE
6.1" W.C.
Natural gas
9.6" W.C.
L.P. gas



HEIGHT	WIDTH	DEPTH	ELECTRICAL	TOTAL B.T.U.	SHIP WEIGHT
28.5"	17"	17"	120V / 60Hz / 1AMP	24,000 BTU/Hr	70 lbs.

J.D. Honigberg International, Inc.
155 N. Pfingsten Road, Suite 150
Deerfield, IL 60015 USA
Tel: 847-412-0200 • Fax: 847-412-0034
email: catering@jdhintl.com • www.jdhcatering.com