



AUTODONER®

The Original Automatic Vertical Broiler



**Meat
Capacity
45 Lbs.**

**Next generation of
our classic 3PG features.
2 burner controls improve
temperature control and
energy savings.**

Easier to clean.

**New pivot skewer holder
(will not get lost).**

**Designed for the operator
using med to large cones.**

MODEL# G-300

Large capacity and your choice
of clean burning natural or LP gas.

30,000 BTU'S

OPTIMAL
AUTOMATICS, CO.

J.D. Honigberg International, Inc.

155 N. Pfingsten Road, Suite 150

Deerfield, IL 60015 USA

Tel: 847-412-0200 • Fax: 847-412-0034

email: catering@jdhintl.com • www.jdhcatering.com





AUTODONER®

The Original Automatic Vertical Broiler

ENGINEERED FOR PERFORMANCE

Made in the U.S.A. Since 1972

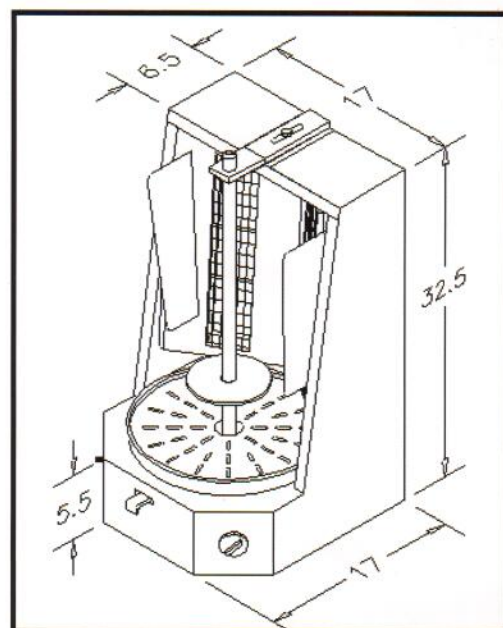


**Model #
G-300
Specifications**

**Meat
Capacity
45 Lbs.**

GAS
1/2" NPT rear
gas connection,
specify Natural
or L.P. gas

PRESSURE
6.1" W.C.
Natural gas
9.6" W.C.
L.P. gas



HEIGHT	WIDTH	DEPTH	ELECTRICAL	TOTAL B.T.U.	SHIP WEIGHT
32.5"	17"	17"	120V / 60Hz / 1AMP	30,000 BTU/Hr	75 lbs.

J.D. Honigberg International, Inc.
 155 N. Pfingsten Road, Suite 150
 Deerfield, IL 60015 USA
 Tel: 847-412-0200 • Fax: 847-412-0034
 email: catering@jdhintl.com • www.jdhcatering.com