



# AUTODONER®

## The Original Automatic Vertical Broiler



**Meat  
Capacity  
65 Lbs.**

**Our most powerful  
vertical broiler.**

**For the operator using  
large & extra large cones.**

**Easier to clean.**

**Compact design, 2 will fit  
on 36" table.**

**Newly designed 18" burners  
with 2 burner controls  
offer the most uniform burn.**

**MODEL# G-400**

Extra Large capacity and your choice  
of clean burning natural or LP gas.

**40,000 BTU'S**

**OPTIMAL**  
AUTOMATICS, CO.

J.D. Honigberg International, Inc.

155 N. Pfingsten Road, Suite 150

Deerfield, IL 60015 USA

Tel: 847-412-0200 • Fax: 847-412-0034

email: [catering@jdhintl.com](mailto:catering@jdhintl.com) • [www.jdhcatering.com](http://www.jdhcatering.com)





# AUTODONER®

## The Original Automatic Vertical Broiler

**ENGINEERED FOR PERFORMANCE**

**Made in the U.S.A. Since 1972**

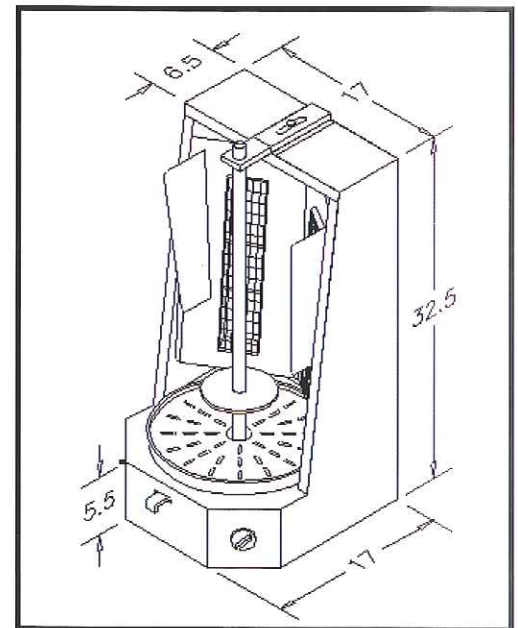


**Model #  
G-400  
Specifications**

**Meat  
Capacity  
65 Lbs.**

**GAS**  
1/2" NPT rear  
gas connection,  
specify Natural  
or L.P. gas

**PRESSURE**  
6.1" W.C.  
Natural gas  
9.6" W.C.  
L.P. gas



**HEIGHT**

**WIDTH**

**DEPTH**

**ELECTRICAL**

**TOTAL B.T.U.**

**SHIP WEIGHT**

32.5"

17"

17"

120V / 60Hz / 1AMP

40,000 BTU/Hr

75 lbs.

**J.D. Honigberg International, Inc.**

155 N. Pfingsten Road, Suite 150

Deerfield, IL 60015 USA

Tel: 847-412-0200 • Fax: 847-412-0034

email: [catering@jdhintl.com](mailto:catering@jdhintl.com) • [www.jdhcatering.com](http://www.jdhcatering.com)