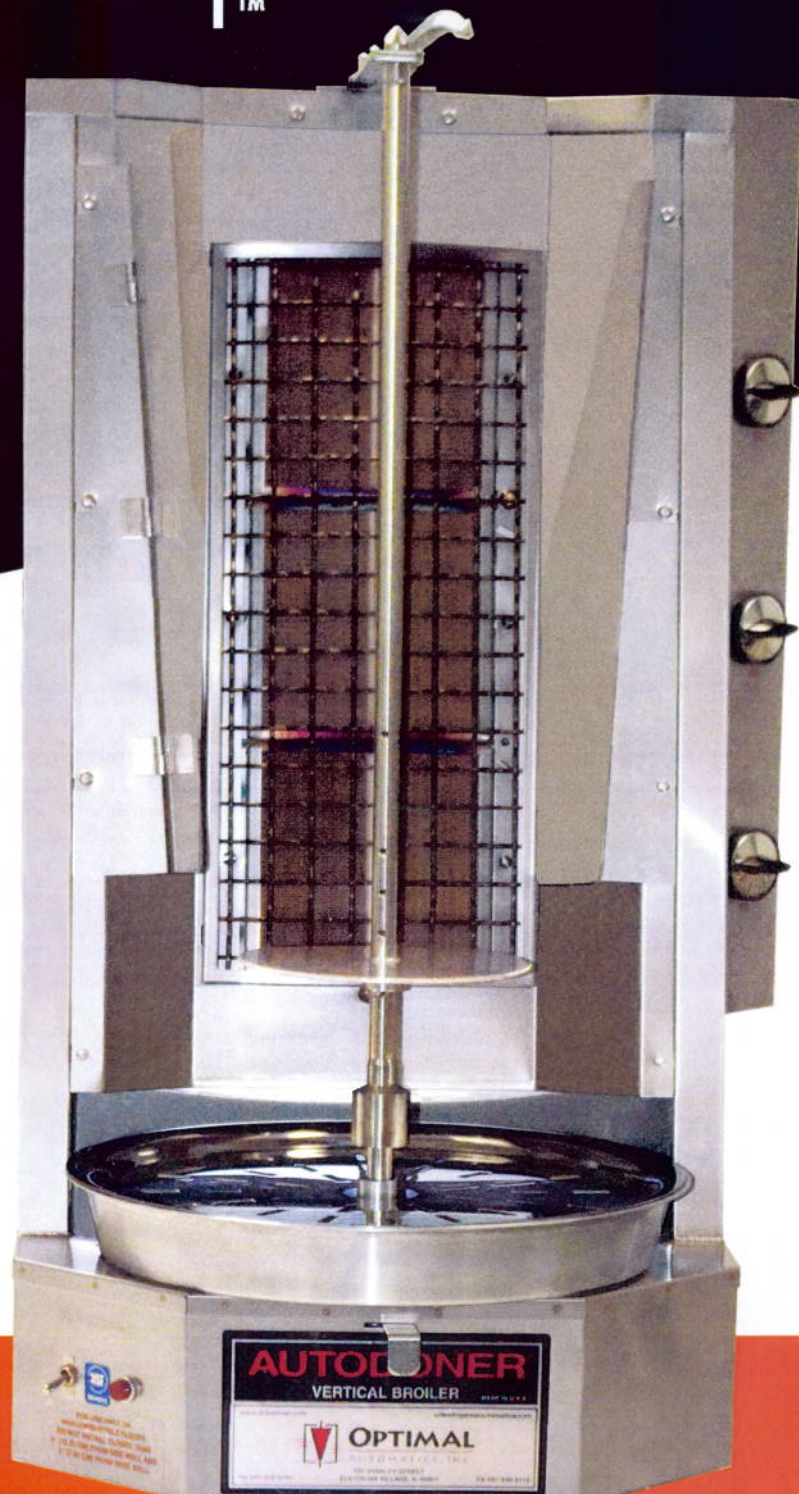




# AUTODONER®

## The Original Automatic Vertical Broiler



**Meat  
Capacity  
85 Lbs.**

*At 35" tall, our newest model stands alone!*

*3 individually controlled horizontal burners provide top, middle, and bottom heat control.*

*Designed for the operator using extra large cones, this machine combines old-world style with time-proven AUTODONER® engineering.*

### **MODEL# G-500**

Extra Large capacity and your choice of clean burning natural or LP gas.

**45,000 BTU's**

**OPTIMAL**  
AUTOMATICS, CO.

J.D. Honigberg International, Inc.

155 N. Pfingsten Road, Suite 150

Deerfield, IL 60015 USA

Tel: 847-412-0200 • Fax: 847-412-0034

email: [catering@jdhintl.com](mailto:catering@jdhintl.com) • [www.jdhcatering.com](http://www.jdhcatering.com)



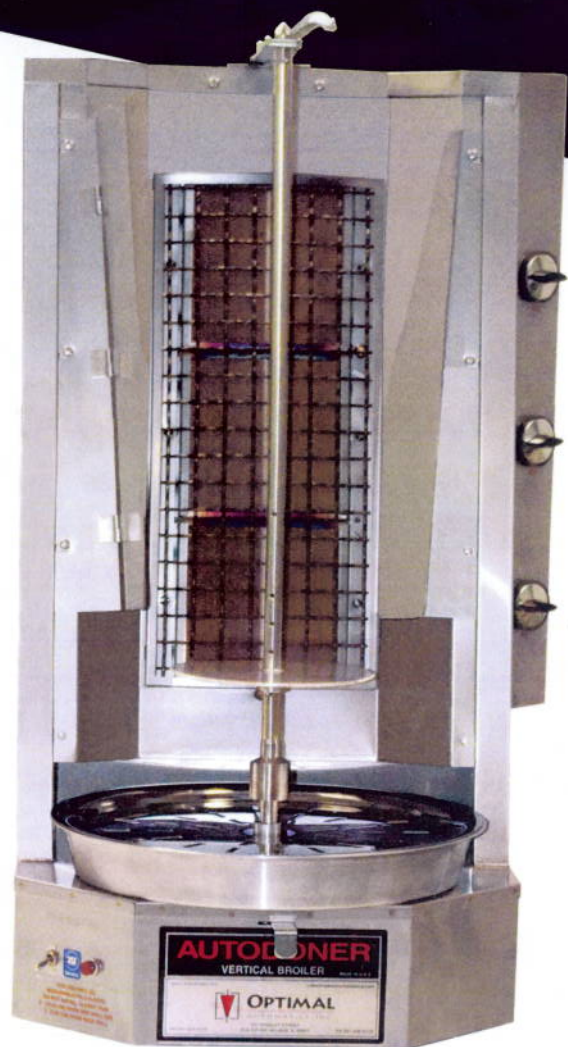


# AUTODONER®

## The Original Automatic Vertical Broiler

**ENGINEERED FOR PERFORMANCE**

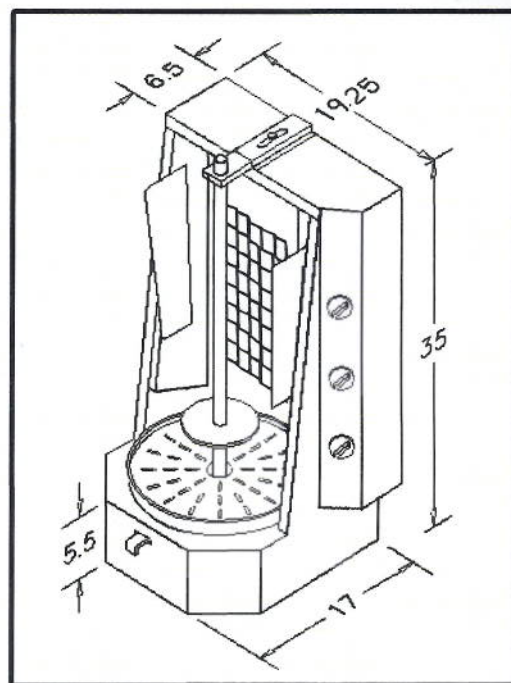
Made in the U.S.A. Since 1972



**Model #  
G500  
Meat  
Capacity  
85 Lbs.**

**GAS**  
1/2" NPT rear  
gas connection,  
specify, Natural  
or L.P. gas

**PRESSURE**  
6.1" W.C.  
Natural gas  
9.6" W.C.  
L.P. gas



| HEIGHT | WIDTH  | DEPTH | ELECTRICAL            | SHIP WEIGHT |
|--------|--------|-------|-----------------------|-------------|
| 35"    | 19.25" | 17"   | 120 V / 60 Hz / 1 AMP | 80 lbs.     |

J.D. Honigberg International, Inc.  
155 N. Pfingsten Road, Suite 150  
Deerfield, IL 60015 USA  
Tel: 847-412-0200 • Fax: 847-412-0034  
email: [catering@jdhintl.com](mailto:catering@jdhintl.com) • [www.jdhcatering.com](http://www.jdhcatering.com)