

# Frosty Factory

## Model 113

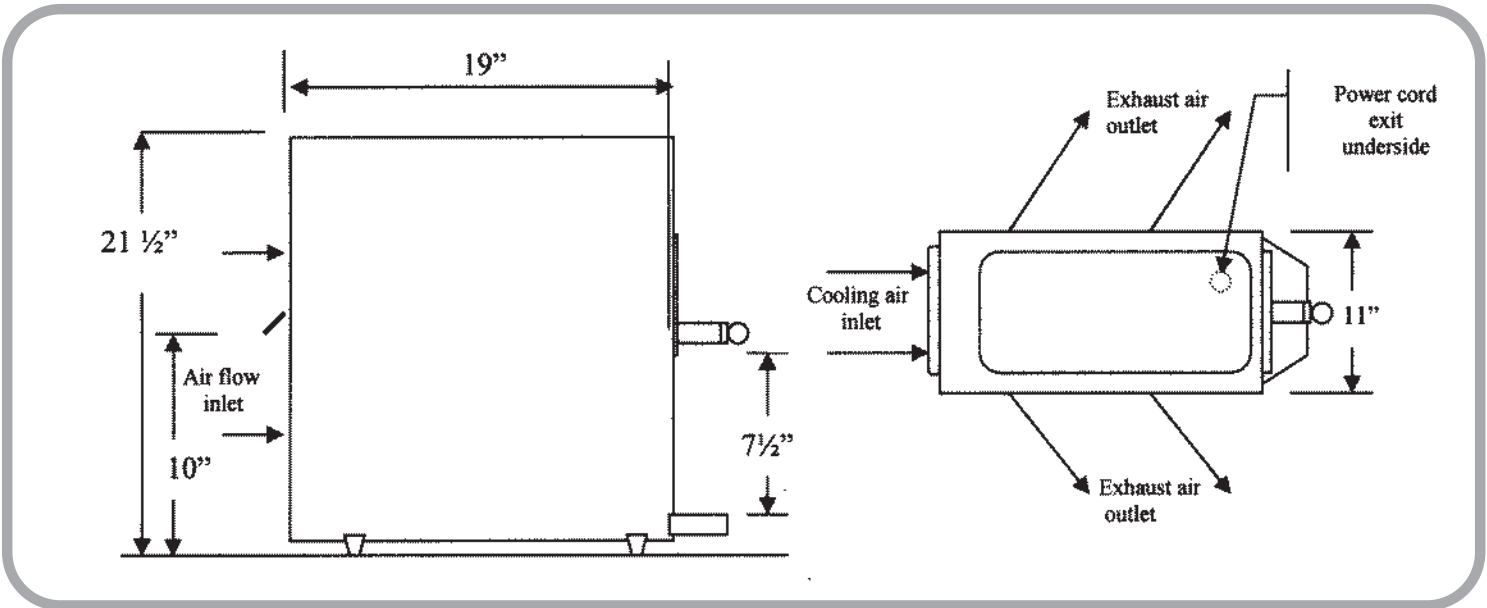


- **Compact Size -**  
Saving valuable counter space
- **3 1/2 Quart Cylinder**  
8 quart hopper
- **Production -**  
Up to 64 ten ounce drinks
- **Stand-by-Switch -**  
Refrigerates mix overnight
- **Air Cooled -**  
Simple Install

# Frosty Factory of America

J.D. Honigberg International, Inc.  
155 N. Pfingsten Road, Suite 150  
Deerfield, IL 60015 USA  
Tel: 847-412-0200 • Fax: 847-412-0034  
email: [catering@jdhintl.com](mailto:catering@jdhintl.com) • [www.jdhcatering.com](http://www.jdhcatering.com)

# Frosty Factory Model 113



## Specifications

- Height: 21 1/2 in. -- 55 cm.
- Width: 11 in. -- 28 cm.
- Depth: 19 in. -- 48 cm.
- Weight: 90 lbs. -- 41 kg.
- Legs: 1 in. -- 2 1/2 cm.  
Optional: 4 in. -- 10 cm
- Shipping Size: 15"W X 25"D X 31"H  
38 cm.W X 64 cm.D X 79 cm.H
- Shipping Volume: 7 cu. ft. -- 1/5 cu.M.
- Shipping Weight: 100 lbs. -- 45 kg.
- Voltage: 115 -- Opt. 230
- Hertz: 60 -- Opt. 50
- Phase: 1
- Cooling: Air
- Air Clearance: 8 in. -- 20 cm (All Sides)
- Hopper Capacity: 8 qts. -- 7 1/2 ltr.
- Cylinder Capacity: 3 1/2 qts. -- 3 1/4 ltr.
- Amperage Draw: 10 amps
- Circuit Breaker: 20 amp
- Compressor: 1/3 h.p.
- Refrigerant: R404A



Due to continuous research specifications subject to change without notice.

# *Frosty Factory of America*

**J.D. Honigberg International, Inc.**  
155 N. Pfingsten Road, Suite 150  
Deerfield, IL 60015 USA

Tel: 847-412-0200 • Fax: 847-412-0034  
email: [catering@jdhintl.com](mailto:catering@jdhintl.com) • [www.jdhcatering.com](http://www.jdhcatering.com)