

Frosty Factory

Model 215-F

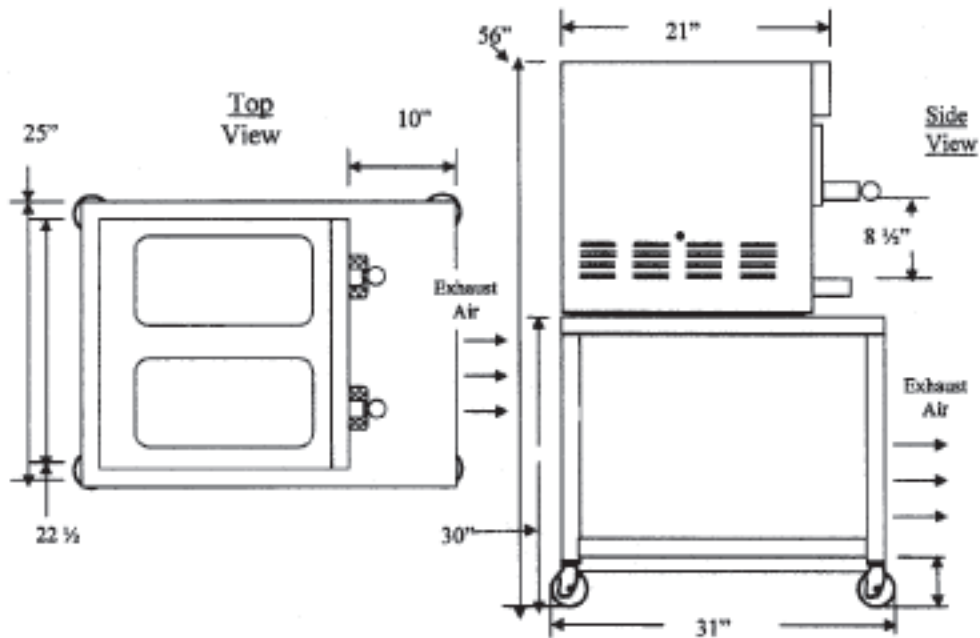


- **Double Cylinder** - Serves two flavors
- **(2) 7 Quart Cylinders**
(2) 12 Quart Hoppers
- **High Production** - Up to 155 ten ounce drinks per hour per side
- **Lighted Flavor Sign** - Draws Attention to the frozen product
- **Mobile** - Self contained on locking casters
- **Stand-by-Switch** - Refrigerates mix overnight

Frosty Factory of America

J.D. Honigberg International, Inc.
155 N. Pfingsten Road, Suite 150
Deerfield, IL 60015 USA
Tel: 847-412-0200 • Fax: 847-412-0034
email: catering@jdhintl.com • www.jdhcatering.com

Frosty Factory Model 215-F



Specifications

- Height: 56 in. -- 142 cm.
- Width: 25 in. -- 63 1/2 cm.
- Depth: 31 in. -- 79 cm.
- Weight: 415 lbs. -- 188 kg.
- Legs: Locking caster 6"
- Shipping Size: 34"W X 29"D X 53"H
86 cm.W X 74 cm.D X 135 cm.H
- Shipping Volume: 30 cu. ft. -- 4/5 cu.M.
- Shipping Weight: 430 lbs. -- 195 kg.
- Voltage: 230
- Hertz: 60 -- Opt. 50
- Phase: 1
- Cooling: Air. Optional water
- Air Clearance: Sides and Rear: 0
Front: 36 in. 91.5 cm
- Water Clearance: Rear: 3 in -- 7 1/2 cm
Sides: None required
- Hopper Capacity: 12 qts. -- 11 1/4 ltr.
- Cylinder Capacity: 7 qts. -- 6 1/2 ltr.
- Amperage Draw: 22 amps
- Circuit Breaker: 30 amp
- Compressor: 3 h.p.
- Refrigerant: R404A



Options: •Autofill •Mixer

Due to continuous research specifications subject to change without notice.

Frosty Factory of America

J.D. Honigberg International, Inc.
155 N. Pfingsten Road, Suite 150
Deerfield, IL 60015 USA
Tel: 847-412-0200 • Fax: 847-412-0034
email: catering@jdhintl.com • www.jdhcatering.com