

AK-AP

The **AK** series of pour-over equipment is designed to offer years of trouble free operation while delivering a consistently great cup of fresh hot coffee with every brew. This flexible brewer family accomodates all of today's brewing vessels from traditional glass decanters to the latest in thermal dispensers, airpots and servers.

The **AK** models incorporate features such as: a traditional displacement hot water tank system, ready light incorporated for optimum brewing temperature, master on/off power switch, and durable stainless steel construction.



Dispenser Options



AK-AP

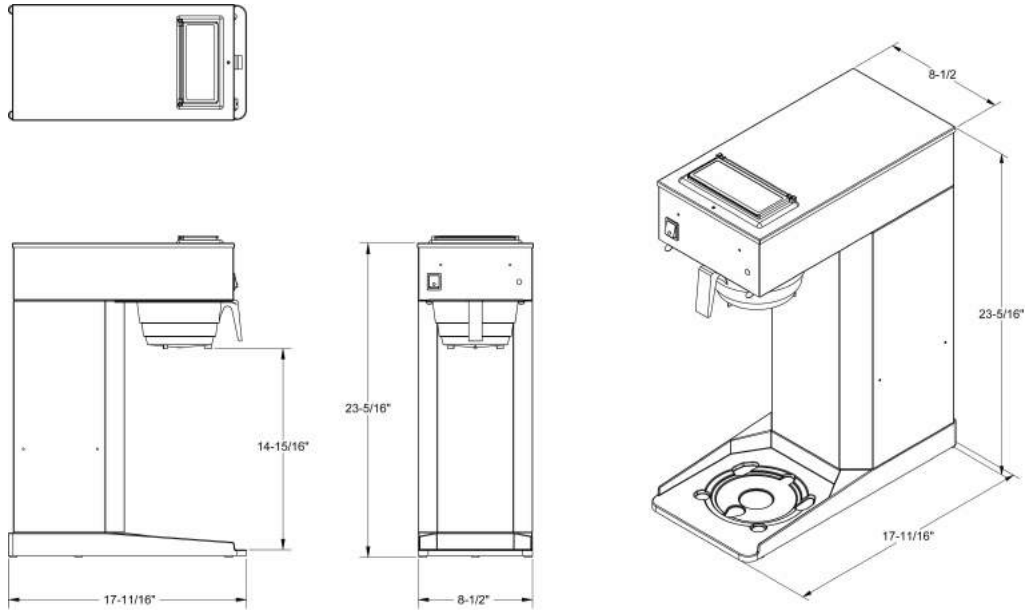
Durable stainless steel construction.

Master power switch.

Ready Light incorporated for optimum brewing temperatures

Dispensers incorporate 'safe base', a revolutionary design for lining up of thermal dispensers everytime.

Airpot model features unique brew-thru stem. Brew-thru stem remains in place while brewing to maintain heat for longer periods of time.



MODEL	WIDTH	DEPTH	HEIGHT	(USA)	CANADA	WEIGHT	CU.FT.
AK-AP	8 1/2"	17 11/16"	23 5/16"	14.6A	11.7A	28LB.	7.81