

doughXpress Model No.

DX-JN Semi-Automatic Dough Divider/Rounder



The DX-JN semi-automatic dough divider/rounder has four machines in one capability. The interchangeable head assemblies in either 36, 18, 9, or 6-part divisions allow fast accurate scaling and rounding of dough in weights ranging from 1 ounce up to 26 ounces each piece.

Examples: 36-part = 1 - 2-3/4 ounces each

18-part = 2 - 7 ounces each

9-part = 7 - 18 ounces each

6-part = 18 - 26 ounces each

When removed for cleaning or interchange, (no tools required), the entire head assembly can be placed into a sink or dishwasher for complete cleaning to a sanitary operating condition in just minutes per day.

Capable of dividing and rounding many types of Yeast Raised Dough including Bread & Bun dough, Tortilla & Pizza dough.

DX-JN Semi-Auto Divider/Rounder Features:

- 4-in-1 Machine Capabilities
- Dividing/Rounding Head Assembly easily removed in seconds, without tools... for Total Cleanability and Interchange with Optional Divider head assemblies
- Versatility... 1-oz. up to 26 oz.
- Made in the U.S.A.
- 1 year full warranty.
- UL, NSF and USDA listed.

DIMENSIONS

Width: 26-13/16 inches, 68.07 centimeters

Height: 81-1/2 inches, 207.6 centimeters

Depth: 22 inches, 55.9 centimeters

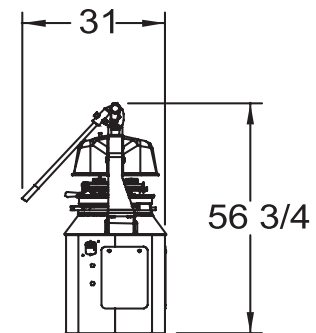
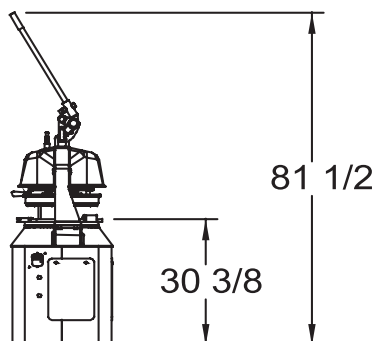
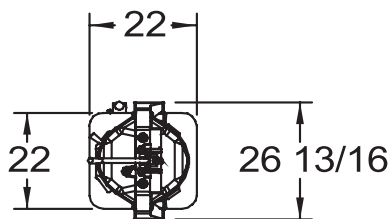
WEIGHT

Press Only: 449 lbs., 203.7 kg

Shipping: 493 lbs., 223.6 kg

ELECTRICAL

208-230V / 60 Hz / 3-ph. 3/4 h.p. 10 Amps



doughXpress
HIX Corporation Food Division
Product improvement may require us to change specifications without notice.
Revised April 2009



USDA

J.D. Honigberg International, Inc.

155 N. Pfingsten Road, Suite 150

Deerfield, IL 60015 USA

Tel: 847-412-0200 • Fax: 847-412-0034

email: catering@jdhintl.com • www.jdhcatering.com