

doughXpress Model No. **DXSM-270/270E**

French Bread/Bun & Bagel Slicer



The simple to use DXSM-270/270E French bread/bun and bagel slicer will slice French Bread, Bagels, Hamburger Buns, Hoagies, Biscuits, Bread Sticks and so much more. Sturdy and solidly built, the DXSM-270/270E can slice and/or hinge products as fast as the operator can feed them into the chute.

Ideal for Supermarkets, Bakeries, Schools, Delis, Sub Shops, Restaurants, Bagel Shops, Caterers and more.

FEATURES INCLUDE:

- Adjustable for products up to 6" wide by 3" thick.
- Variable width.
- Can slice through product or hinge product.
- Simple to operate for repeatable accuracy.
- Toolless removable chute for safe, easy cleaning without interference from the cutting blade.
- Stainless Steel food contact & White Powder Coated Finish non-food contact
- Extra Cutting Blades (P/N A4-037-0003)
- Two year warranty.
- NSF and UL Listed.

DIMENSIONS

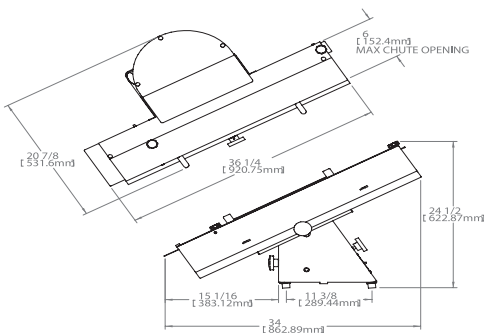
Width: 18 - 20-7/8 in., 45.72 - 53.16 cm
 Height: 24-1/2 inches, 62.23 centimeters
 Depth: 34 inches, 86.36 centimeters

WEIGHT

Press Only: 75 lbs.
 Shipping: 102 lbs.

ELECTRICAL

DXSM-270	DXSM-270E
115 Volt / 60 Hz	220-240 Volt / 60 Hz
8.7 Amps	4.8 Amps / 1-Phase
1725 rpm	1425 rpm
1/2 hp Motor	



Complete Cut:

Maximum: 5-1/4" (13.33 cm)

From Bottom: 1/2" to 1-1/2"

(1.27 - 38.1 cm)

Adjustable for hinged

cut on product up to:

6" wide and 3" thick

(15.24 cm wide and 76.2 cm)



doughXpress
HIX Corporation Food Division
 Product improvement may require us to change specifications without notice.
 Revised October 2009

J.D. Honigberg International, Inc.

155 N. Pflugsten Road, Suite 150
 Deerfield, IL 60015 USA

Tel: 847-412-0200 • Fax: 847-412-0034

email: catering@jdhintl.com • www.jdhcatering.com