

doughXpress Model No. **DXSM-270C/CE**

Compact Bun & Bagel Slicer



The simple to use DXSM-270C/CE compact bun and bagel slicer will slice French Bread, Bagels, Hamburger Buns, Hoagies, Biscuits, Bread Sticks and so much more. Sturdy and solidly built, the DXSM-270C/CE can slice and/or hinge products as fast as the operator can feed them into the chute.

Ideal for Supermarkets, Bakeries, Schools, Delis, Sub Shops, Restaurants, Bagel Shops, Caterers and more.

FEATURES INCLUDE:

- Adjustable for products up to 6" wide by 3" thick.
- Can slice through product or hinge product.
- Simple to operate for repeatable accuracy.
- Toolless removable chute for safe, easy cleaning without interference from the cutting blade.
- Stainless Steel food contact & White Powder Coated Finish non-food contact
- Extra Cutting Blades (P/N A4-037-0003)
- Two year warranty.
- NSF and UL Listed.

DIMENSIONS

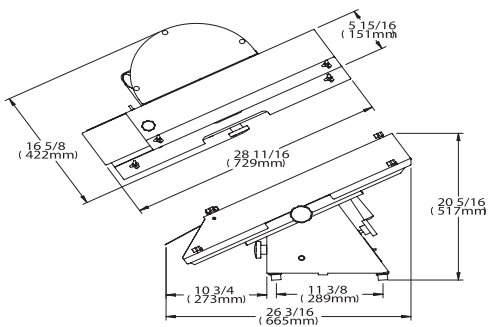
Width: 16-5/8 inches, 42.2 centimeters
 Height: 20-5/16 inches, 51.7 centimeters
 Depth: 26-3/16 inches, 66.5 centimeters

WEIGHT

Press Only: 60 lbs.
 Shipping: 87 lbs.

ELECTRICAL

DXSM-270C	DXSM-270CE
115 Volt / 60 Hz	220-240 Volt / 60 Hz
8.7 Amps	4.8 Amps / 1-Phase
1725 rpm	1425 rpm
1/2 hp Motor	



Complete Cut:
Maximum: 5-1/4" (13.33 cm)
From Bottom: 1/2" to 1-1/2"
 (1.27 - 38.1 cm)

Adjustable for hinged cut on product up to:
 6" wide and 3" thick
 (15.24 cm wide and 76.2 cm)



doughXpress
HIX Corporation Food Division
 Product improvement may require us to change specifications without notice.
 Revised October 2009

J.D. Honigberg International, Inc.
 155 N. Pfingsten Road, Suite 150
 Deerfield, IL 60015 USA
 Tel: 847-412-0200 • Fax: 847-412-0034
 email: catering@jdhintl.com • www.jdhcatering.com